



Representative photograph, actual product appearance may vary.

Due to regional agency approval requirements, some products may not be available in your area. Please contact your regional Honeywell office regarding your product of choice.

## RA30LASB502A

**RA30 Series Industrial Potentiometer, Wire Wound Element, Solder lug Terminals, 4 W Power Rating, 5 kOhm Resistance Value**

### Features

- Robust nickel-plated brass shaft and bushings
- Wirewound element
- Linear taper
- Very stable over the operating temperature
- Locking style bushing
- Meets MIL-R-19 standards

### Typical Applications

- Manual controls
- Welding and heating

### Description

The RA30 Series is a military qualified potentiometer made in accordance to MIL-R-19 specifications. It offers a 3 watt power rating and a wirewound element.

## RA30LASB502A

**RA30 Series Industrial Potentiometer, Wire Wound Element, Solder lug Terminals, 4 W Power Rating, 5 kOhm Resistance Value**

Product Specifications	
<b>Potentiometer Type</b>	Industrial
<b>Element Type</b>	Wire Wound
<b>Terminal Type</b>	Solder lug
<b>Power Rating</b>	4 W
<b>Resistance Value</b>	5 kOhm
<b>Resistance Tolerance</b>	± 10 %
<b>Linearity</b>	± 5 %
<b>Bushing Thread</b>	9,53 mm [0.375 in] x 32 NEF-2A
<b>Bushing length</b>	12,7 mm [0.5 in]
<b>Bushing Type</b>	Locking
<b>Shaft Diameter</b>	6,35 mm [0.25 in]
<b>Shaft length</b>	15,88 mm [0.625 in]
<b>Shaft Ending</b>	Slotted
<b>Body</b>	42.93 mm [1.69 in] diameter, ± 0.79 mm [0.031 in], except at terminal standoff
<b>Electrical Taper</b>	Linear
<b>Operating Temperature</b>	-55 °C to 105 °C [-67 °F to 220 °F]
<b>Working Voltage (Max.)</b>	350 V
<b>Rotational Life</b>	25000 cycles
<b>Mechanical Rotation</b>	300°
<b>Availability</b>	Global

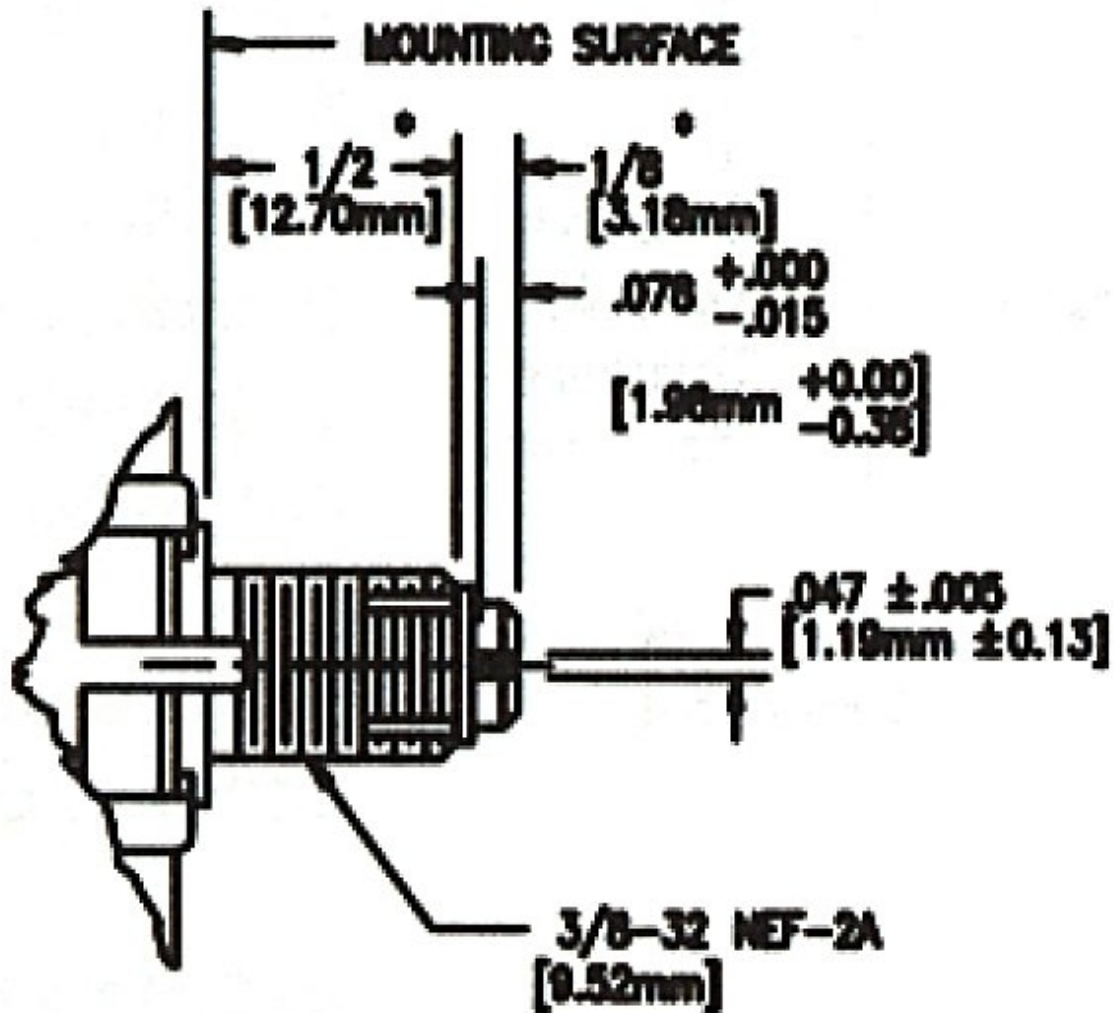
Series Name	RA30 Series
UNSPSC Code	4111363300
UNSPSC Commodity	4111363300 Potentiometers

**Honeywell**

**RA30LASB502A**

RA30 Series Industrial Potentiometer, Wire Wound Element, Solder lug Terminals, 4 W Power Rating, 5 kOhm Resistance Value

For Reference Only in/mm



**OPTIONAL SPLIT BUSHING  
JAM NUT SUPPLIED  
UNLESS OTHERWISE SPECIFIED**

**Honeywell**

---

## RA30LASB502A

**RA30 Series Industrial Potentiometer, Wire Wound Element, Solder lug Terminals, 4 W Power Rating, 5 kOhm Resistance Value**

### **WARNING**

#### **PERSONAL INJURY**

DO NOT USE these products as safety or emergency stop devices, or in any other application where failure of the product could result in personal injury.

**Failure to comply with these instructions could result in death or serious injury.**

### **WARNING**

#### **MISUSE OF DOCUMENTATION**

- The information presented in this product sheet (or catalog) is for reference only. DO NOT USE this document as product installation information.
- Complete installation, operation and maintenance information is provided in the instructions supplied with each product.

**Failure to comply with these instructions could result in death or serious injury.**